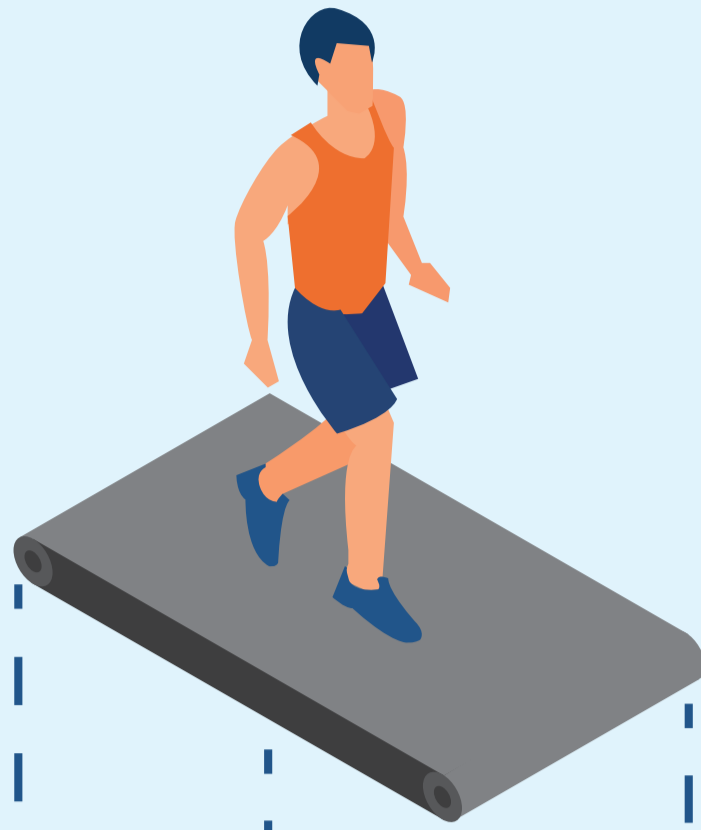


# WHY AN EWAC MEDICAL MODULAR POOL GETS YOU MOVING

## POOLTRACK®

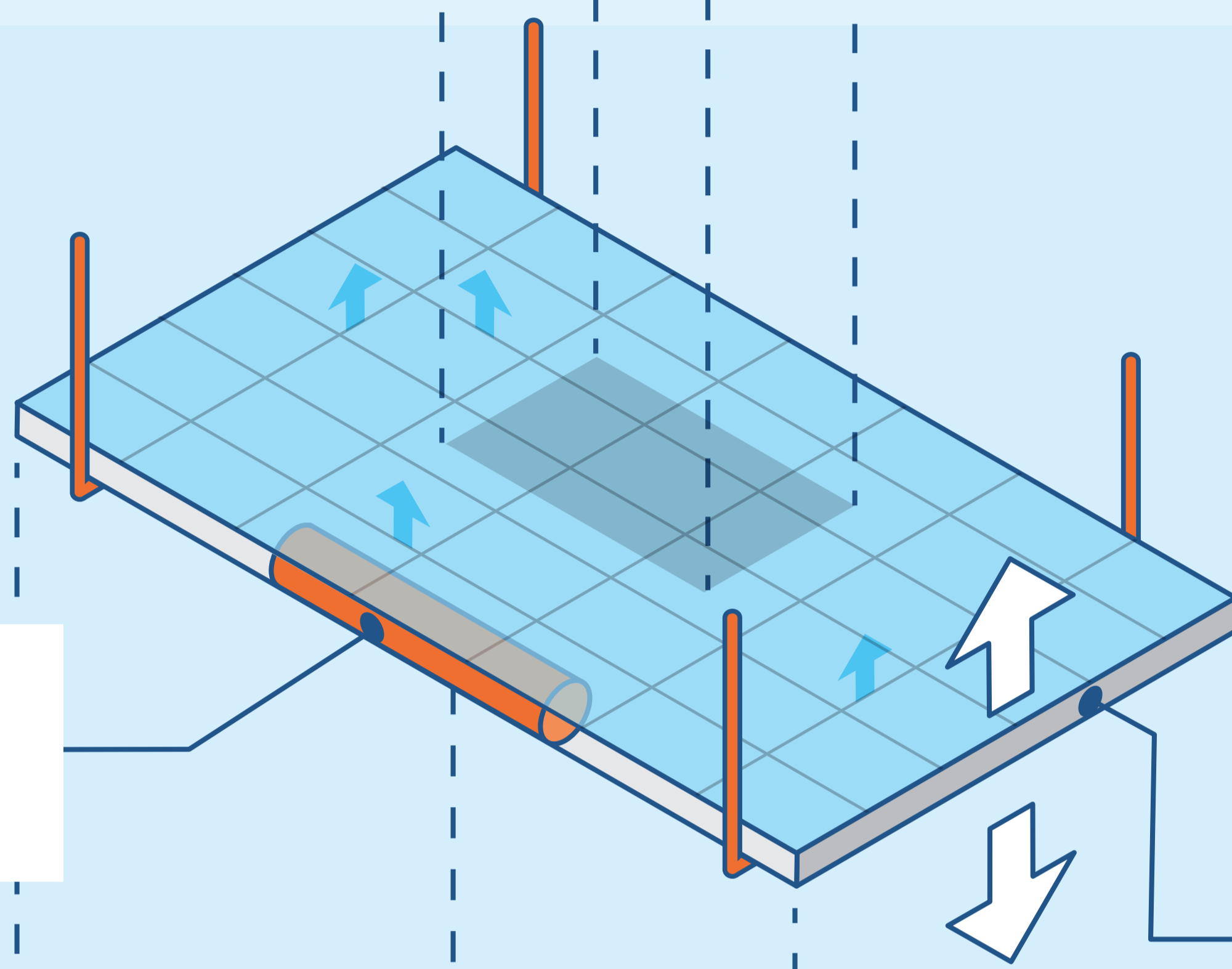
Underwater Treadmill



## POOLTRACK® UNDERWATER TREADMILL

- Perform stationary walking exercises
- Study gait and walking pattern with camera's
- For rehabilitation, physical training or weight loss
- Safe AC drive system
- Speeds from 0,2 to 11 km/h
- Control through touch screen interface or remote
- Use the same space for other purposes when not in use

## MOVABLE FLOOR



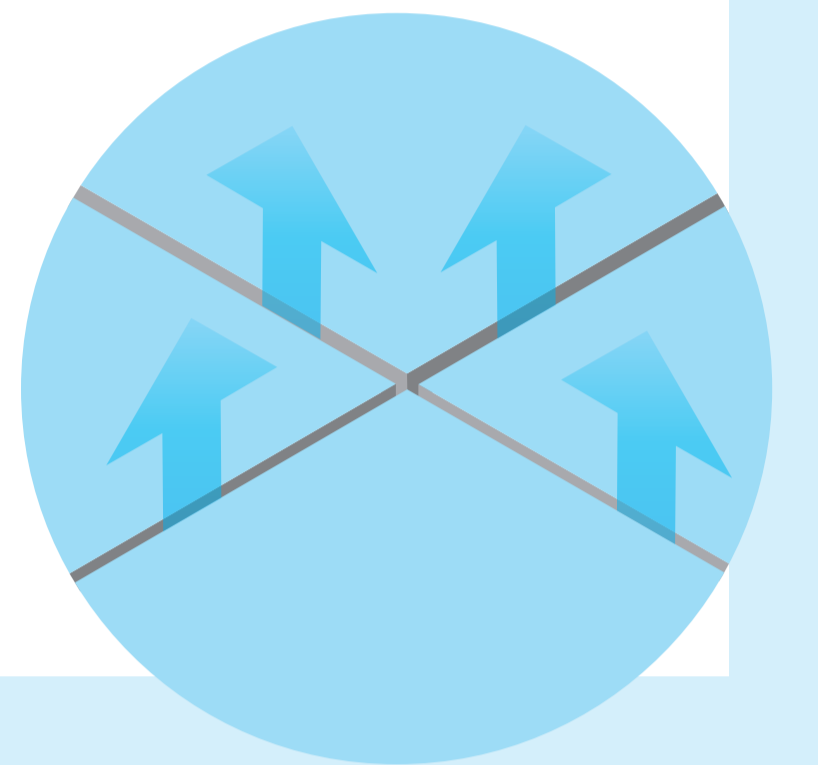
## WATER HYDRAULICS

- Water hydraulic cylinder means zero risk of contamination with toxic fluids

## WATER PERMEABLE SURFACE

Pool water can move **through the surface** undisturbed, because of openings between the tiles. Therefore:

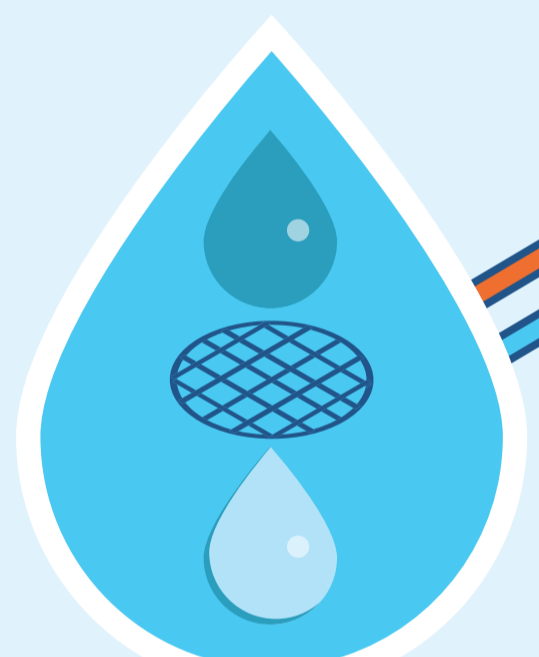
- Optimal water hygiene!!
- Undisturbed water circulation.
- The floor moves faster through the water.



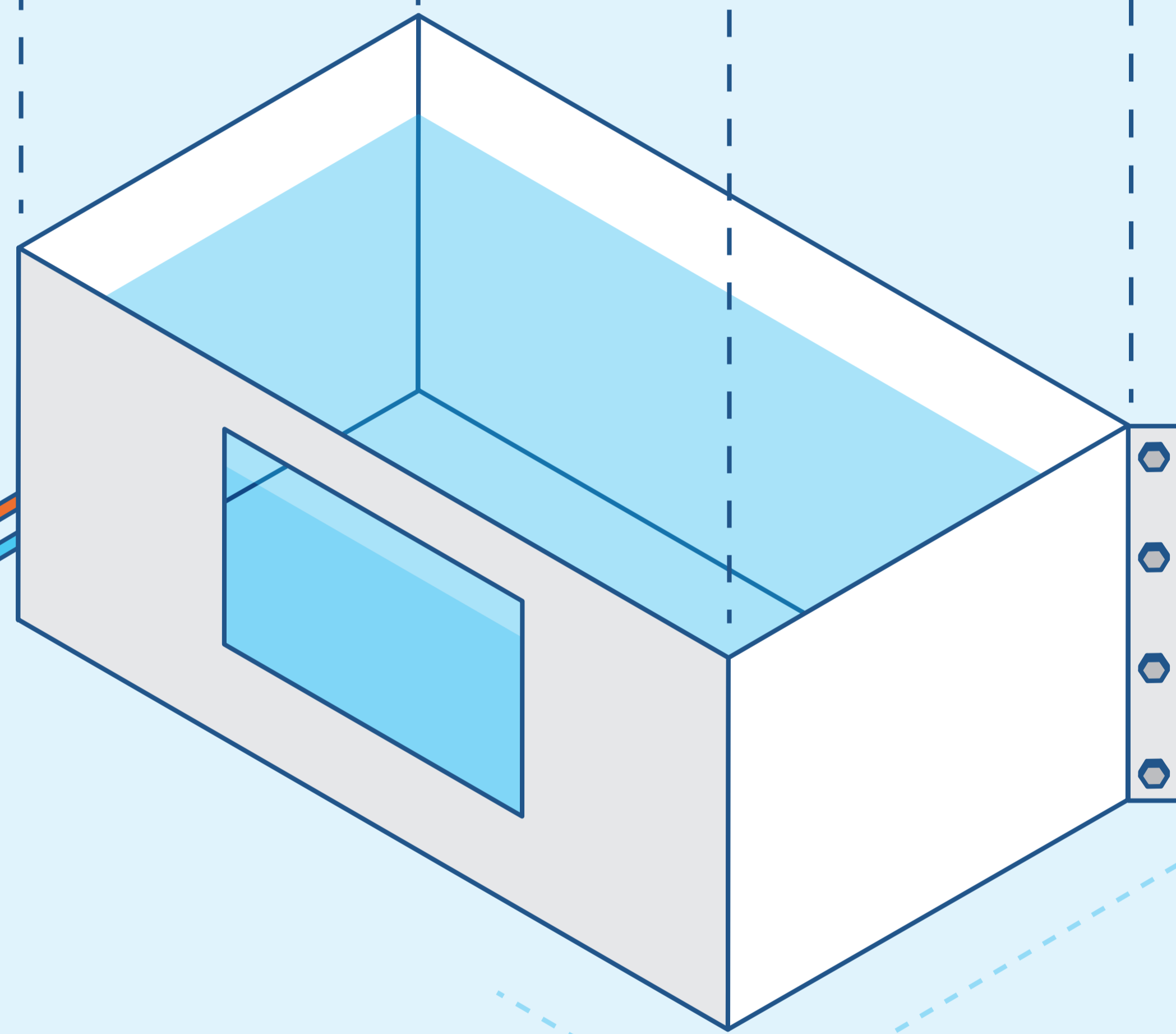
## MINIMUM CONSTRUCTION THICKNESS

A **total construction thickness of 30 cm**, this is the thinnest movable floor in the market.

## MODULAR POOL



Water treatment



## EASY ASSEMBLY

- No heavy lifting.** Parts carried in by hand, fit through normal door.
- Bolted construction.** No welding on site.

## FULLY MODULAR

- All our systems are made to order: any size shape or depth

## TOTAL AQUATIC THERAPY SOLUTION

### CAMERA'S

- Fixed underwater camera's & lights



## Additional advantages

- Ready for use in one week
- Optimal water hygiene
- Single point of contact
- Easy maintenance
- Better than concrete
- No toxic fluids
- 80% recyclable materials
- 25+ years lifespan
- 1000+ projects worldwide

EWAC Medical  
Galileistraat 20  
1704 SE Heerhugowaard  
The Netherlands

EWAC  
**MEDICAL**  
We get you moving

+31 226 313 457  
medical@ewac.nl  
www.ewacmedical.com